



foodcube

# Foodcube & Slim

## Installation Guide



# Introduction

## Foodcube & Foodcube Slim Installation Guide

### About Us

Biofilta is an Australian company that designs and produces urban food growing systems to unlock the food growing potential of our cities and communities.

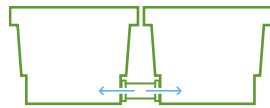
Biofilta has developed a range of water efficient, low tech, soil based urban farming systems that can be installed within hours and be producing food within days.



**Water  
Efficient**



**80% Recycled  
Plastic**



**Connectable**



**Easy Setup**



**Healthy  
Plants**



**Low  
Maintenance**



**UV Stabilised**



# Table of Contents

<b>Parts &amp; Dimensions</b>	Page 04
<b>Level Setter Assembly</b>	Page 08
<b>Wicking &amp; Air Cone Assembly</b>	Page 14
<b>Blanking Clip Installation</b>	Page 17
<b>Connecting Additional Foodcubes</b>	Page 19
<b>General Instructions</b>	Page 22
<b>Optional Accessories</b>	Page 25



# Parts & Dimensions



# Dimensions & Weight

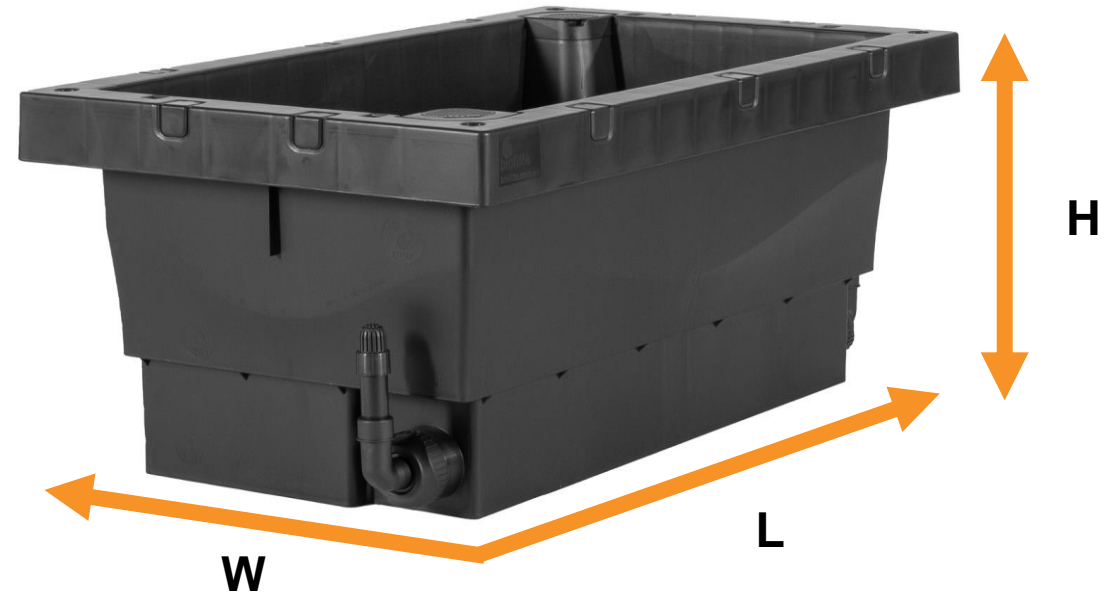
## Foodcube & Foodcube Slim Installation Guide

### Foodcube

Length:	1170mm	Soil Capacity:	330L
Width:	1170mm	Water Capacity:	110L
Height:	500mm	Weight(tub only):	30kg
		Weight(total):	340kg

### Slim

Length:	1170mm	Soil Capacity:	150L
Width:	650mm	Water Capacity:	70L
Height:	500mm	Weight(tub only):	19kg
		Weight(total):	180kg



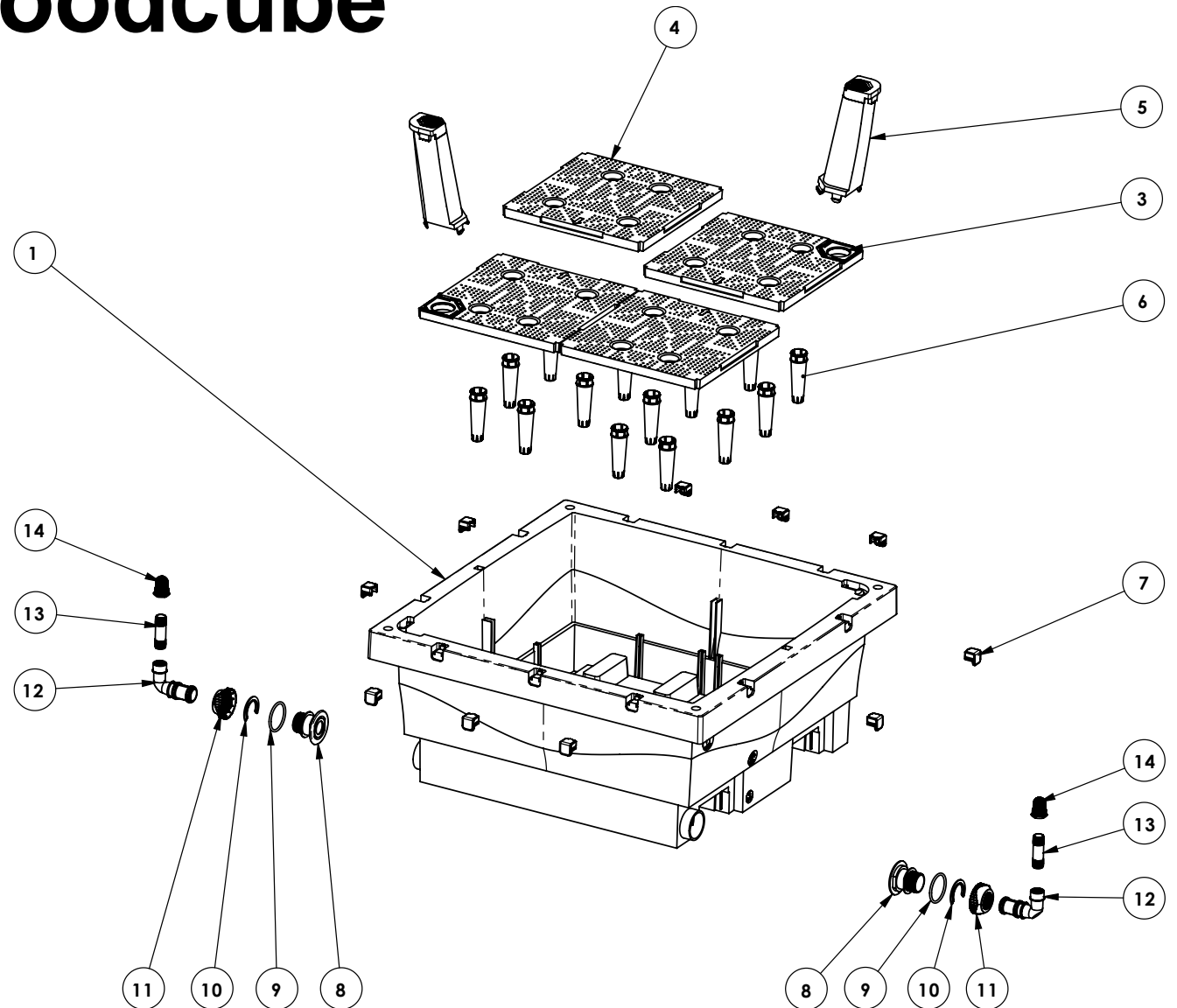




# Parts Included - Foodcube

## Foodcube & Foodcube Slim Installation Guide

PART #	PART NAME	QTY.
1	Foodcube Tub	1
3	Base Tray (w/ Air Cone Connection)	2
4	Base Tray	2
5	Air Cone	2
6	Wicking Cone	16
7	Blanking Clips	10
8	Outlet	2
9	Outlet Seal	2
10	Circlip	2
11	Backnut	2
12	Level Setter	2
13	Level Setter Extension	2
14	Mozzie Caps	2

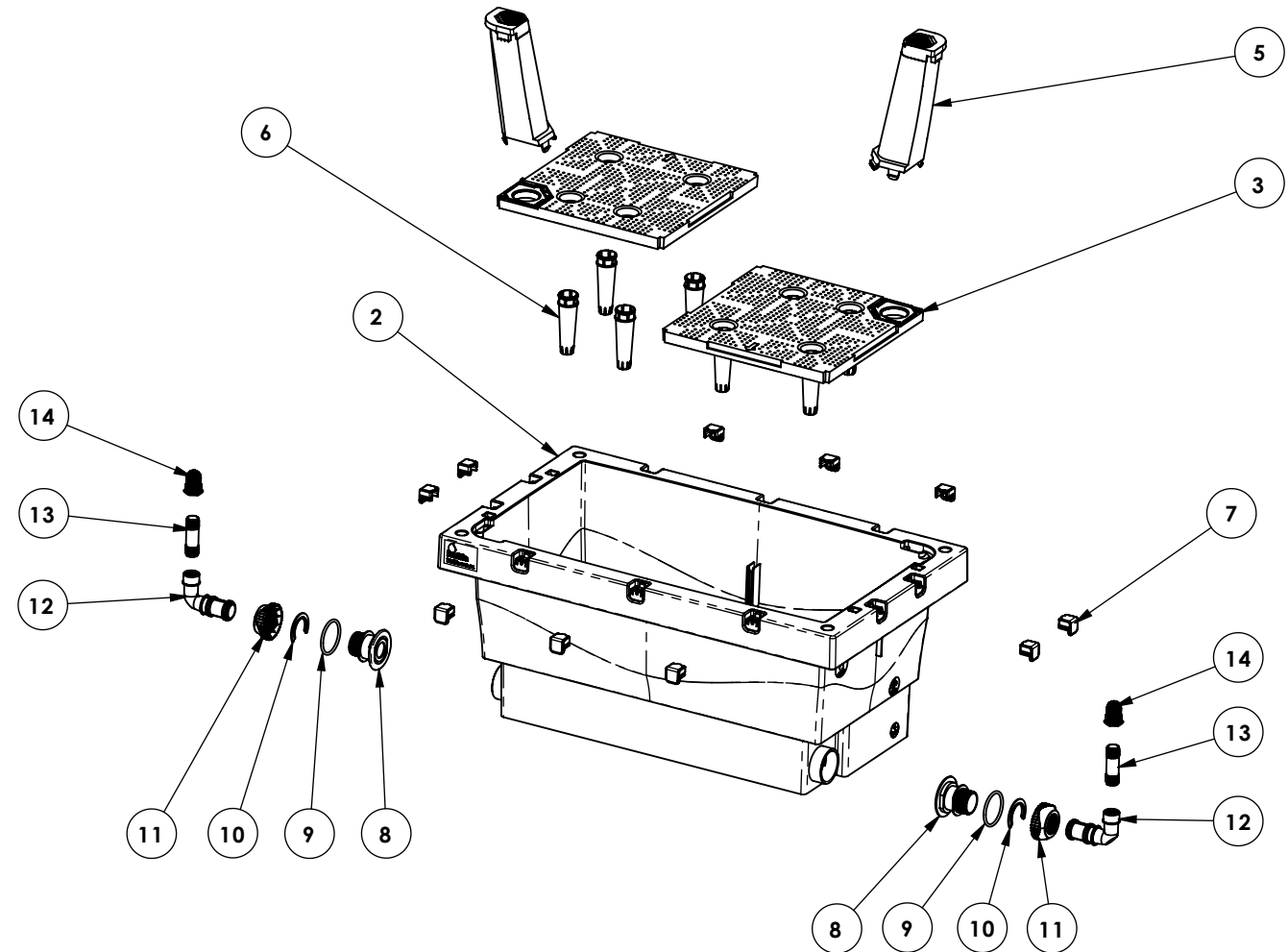




# Parts Included - Foodcube Slim

## Foodcube & Foodcube Slim Installation Guide

PART #	PART NAME	QTY.
2	Foodcube Slim Tub	1
3	Base Tray (w/ Air Cone Connection)	2
5	Air Cone	2
6	Wicking Cone	8
7	Blanking Clips	10
8	Outlet	2
9	Outlet Seal	2
10	Circlip	2
11	Backnut	2
12	Level Setter	2
13	Level Setter Extension	2
14	Mozzie Caps	2





# Level Setter Assembly





# Level Setter Assembly

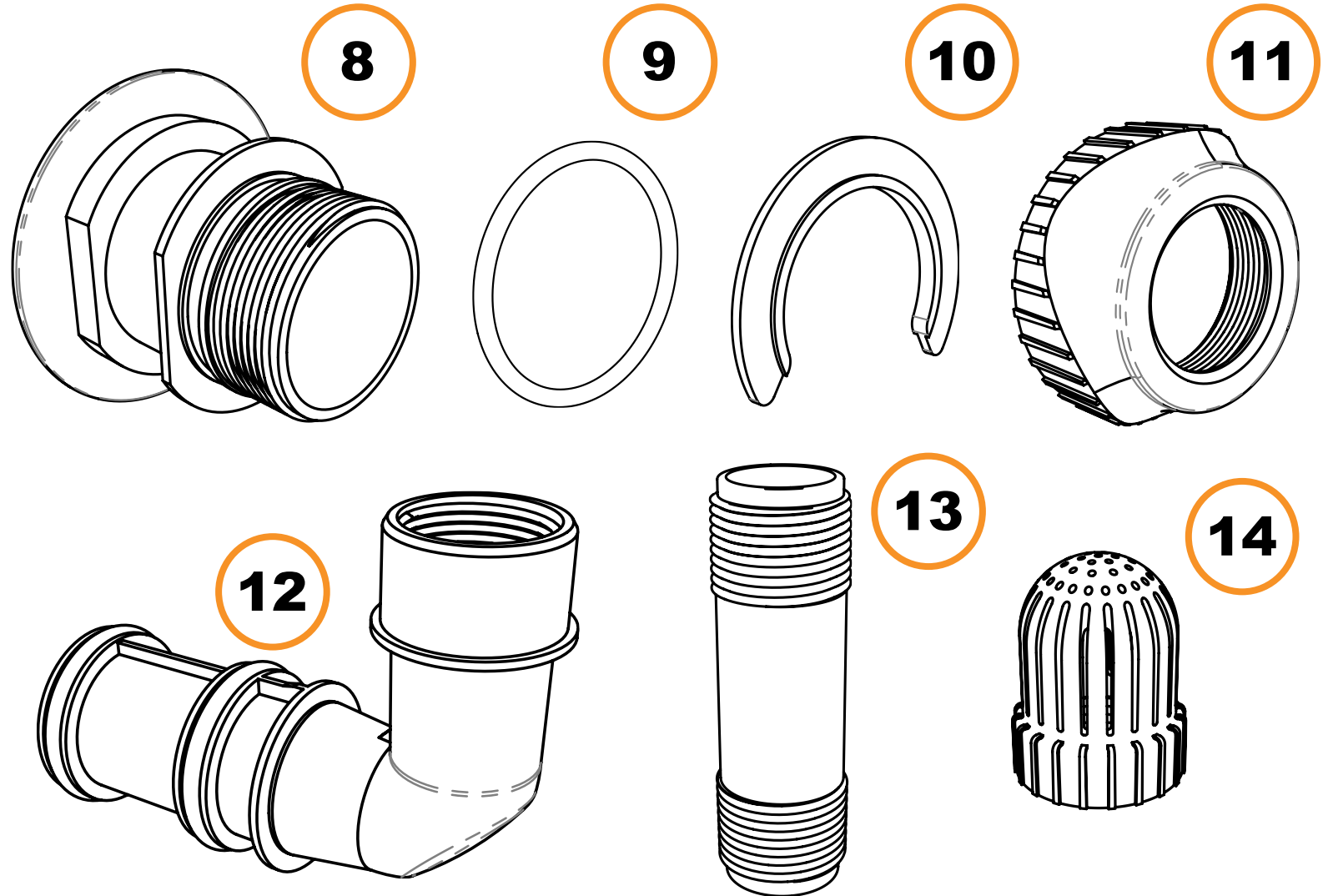
Part 1 of 4

Foodcube & Foodcube Slim  
Installation Guide

## Step 1

Identify each of the parts below:

PART #	PART NAME	QTY.
8	Outlet	2
9	Outlet Seal	2
10	Circlip	2
11	Backnut	2
12	Level Setter	2
13	Level Setter Extension	2
14	Mozzie Cap	2





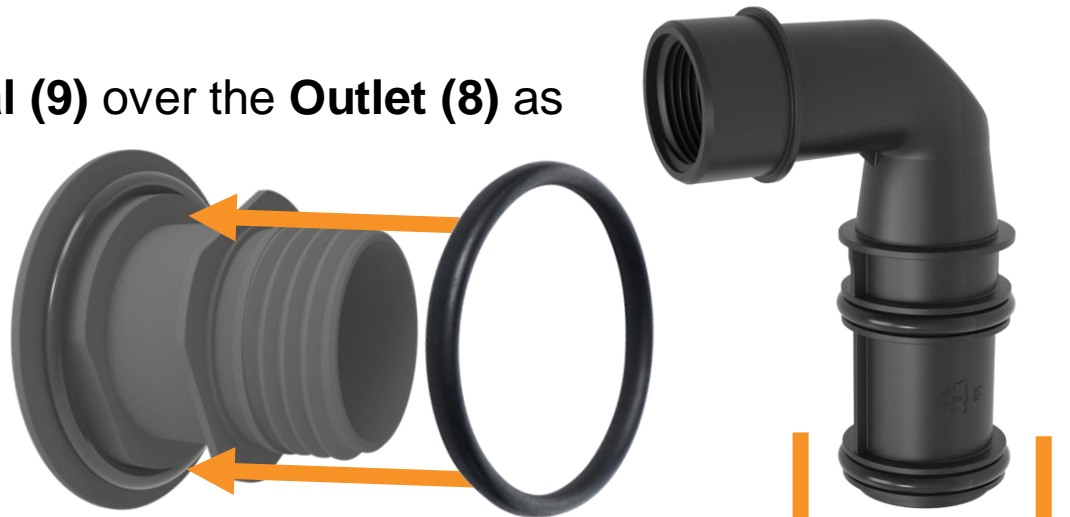
# Level Setter Assembly

Part 2 of 4

## Foodcube & Foodcube Slim Installation Guide

### Step 2

Place the **Outlet Seal (9)** over the **Outlet (8)** as depicted in *fig.A*



*fig.A*

### Step 3

Ensure the **Level Setter (11) O-Rings** are lubricated with o-ring grease prior to installation as depicted in *fig.B*



*fig.B*

### Step 4

Place the **Outlet (8)** flat on the ground and insert the **Level Setter (12)** into the **Outlet (8)** until flush. Please note this will require constant, steady pressure.



*fig.C*

#### TIP

Twist the **Level Setter (12)** as you push down, careful that the small o-rings don't come out of their grooves!

#### TIP

You can use dishwashing liquid or olive oil as alternatives to o-ring grease



# Level Setter Assembly

Part 3 of 4

## Step 5

Screw the **Level Setter Extension (13)** and **Mozzie Cap (14)** as shown.

### TIP

We recommend using Teflon/plumber's tape around the thread of the **Level Setter Extension (13)** to reduce the risk of leaks



# Foodcube & Foodcube Slim

Installation Guide

## Step 6

Push this current assembly through the connection holes from the inside of your Foodcube or Slim and secure with the **Circlip (10)** as shown in *fig.D*

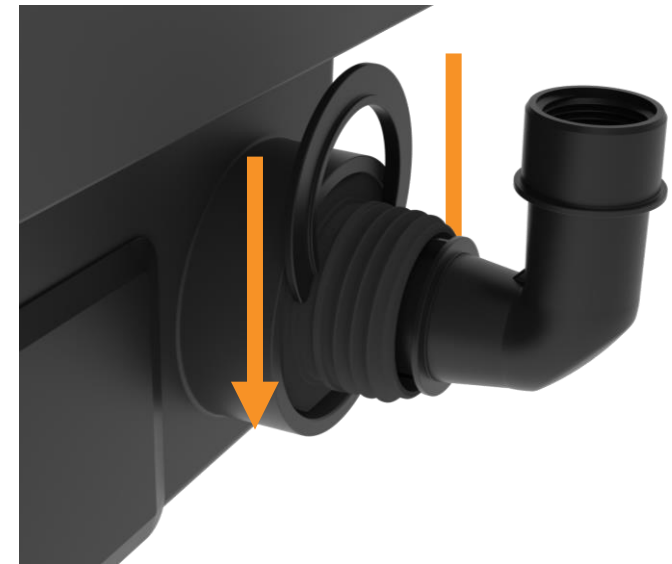


fig.D



# Level Setter Assembly

Part 4 of 4

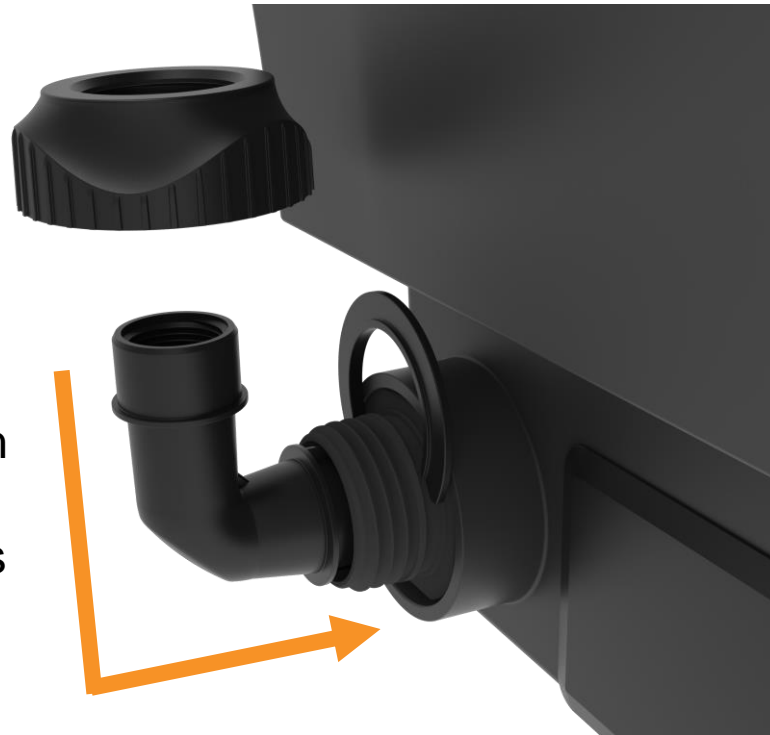
## Step 7

Slide the **Backnut (11)** down the Level Setter assembly and screw on to the **Outlet's (8)** thread.

Ensure **Backnut (11)** is pressing flat against the **Foodcube/Slim (1/2)** and tighten firmly by hand.

## Step 8

Ensure the surface on which your Foodcubes will be placed is level and firm. This is particularly important when joining multiple together in a row.



# Foodcube & Foodcube Slim

Installation Guide

## Step 9

Perform a leak test prior to filling your **Foodcube/Slim (1/2)** with soil. Do this by opening the top cap of the **Aircone (5)** and pouring water in.

If leaking occurs from the **Outlet (8)**:

- Check **Backnut (11)** is tightened fully and **Circlip (10)** is seated properly.

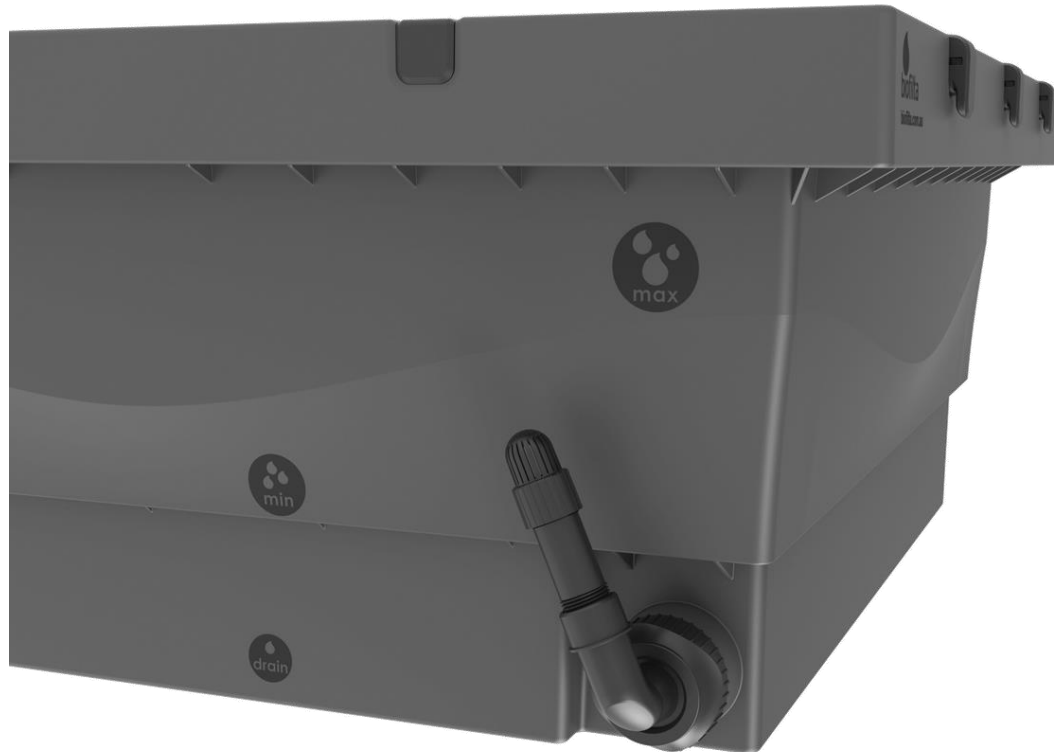
If leaking occurs from the **Level Setter Extension (13)**:

- We recommend wrapping Teflon/plumber's tape around the bottom thread and tightening firmly by hand



# Level Setter Usage

The **Level Setter Assembly** allows full control of the water reservoir level within connected units by swivelling the **Level Setter (12)** from **MAX** to **DRAIN** positions.



Which position the **Level Setter Assembly** should be set will depend on numerous factors such as; your location, climate, and current season.

Generally, we recommend you keep the **Level Setter Assembly** at the **MAX** position, and water once a week until water flows out of the **Mozzie Cap (14)**. You can monitor the water level by tilting the **Level Setter (12)** towards the **DRAIN** position until water starts to flow, alternatively you can open the **Aircone's (5)** top cap and shine a light down.

In winter, or if you find your soil is too damp at the surface, you can instead keep the **Level Setter Assembly** at the **MIN** position and adjust as required.



# Wicking & Air Cone Assembly



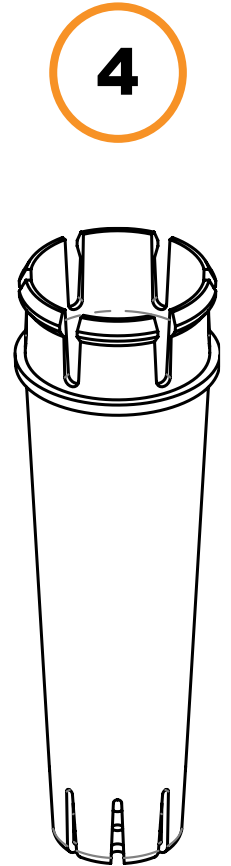
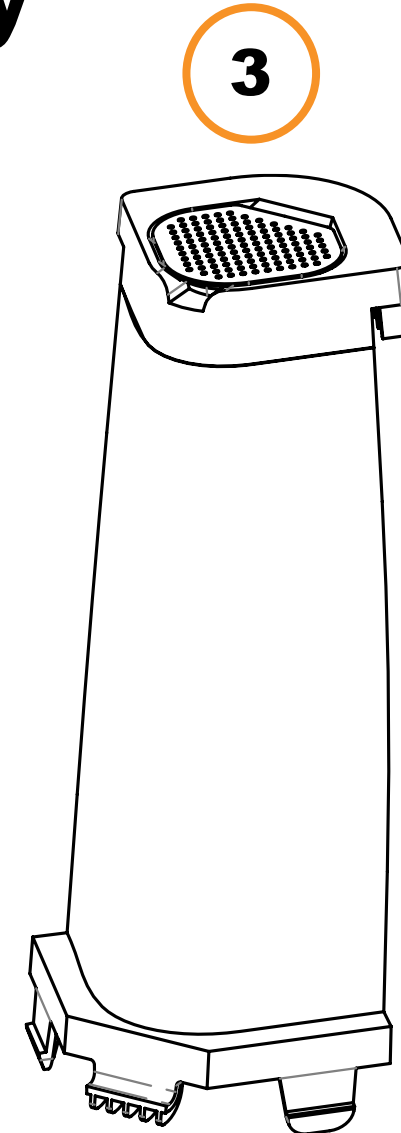
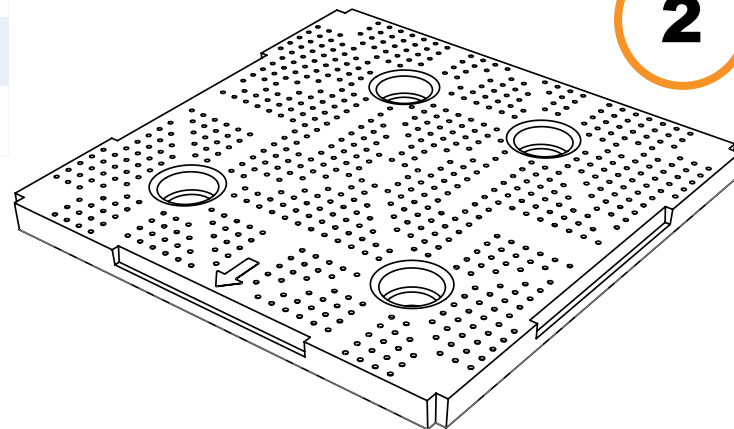
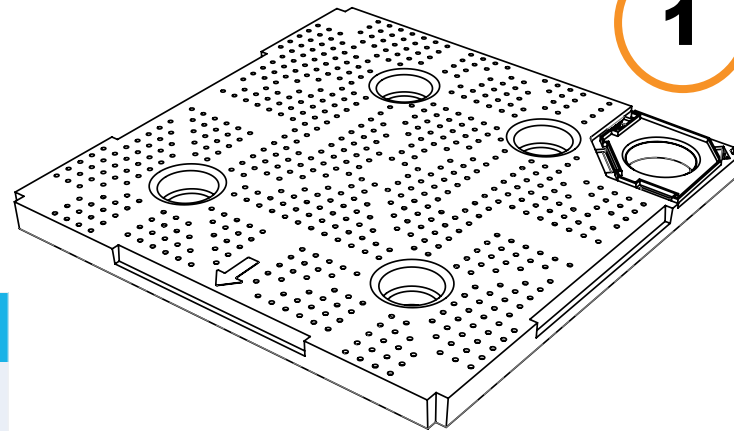


# Wicking & Air Cone Assembly

### Step 1

Identify each of the parts below:

PART #	PART NAME	QTY.
1	Base Tray (w/ Air Cone Connection)	2
2	Base Tray (Foodcube Only)	2
3	Air Cone	2
4	Wicking Cone	16/8

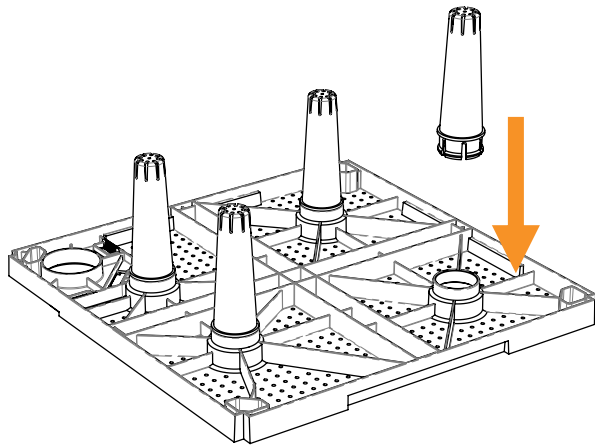




# Wicking & Air Cone Assembly

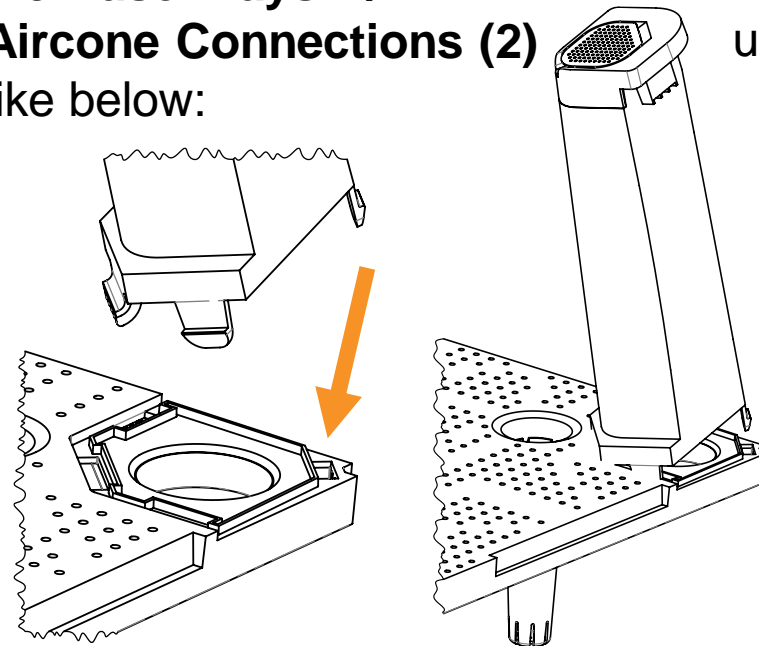
### Step 2

Flip each of the **Base Trays (2 & 3)** upside down, then insert the **Wicking Cones (5)** into each of them. Be gentle with applying pressure, as you can pinch your fingers if not careful



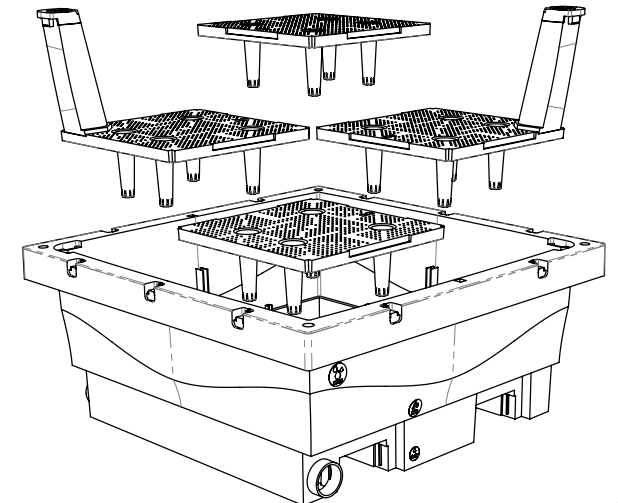
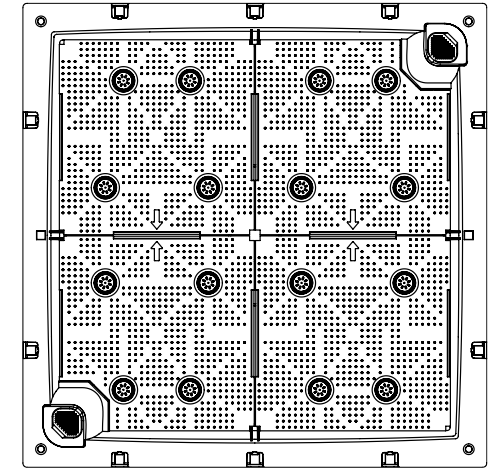
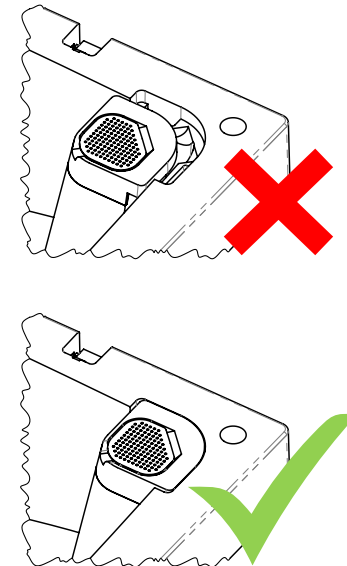
### Step 3

Next, flip the **Base Trays (2 & 3)** with **Wicking Cones (5)** upright, and insert the **Aircone (4)** into the **Base Trays w/ Aircone Connections (2)** like below:



### Step 4

Place the entire assembly into the Foodcube as shown below, ensuring that the **Aircones (4)** are seated properly in the unit





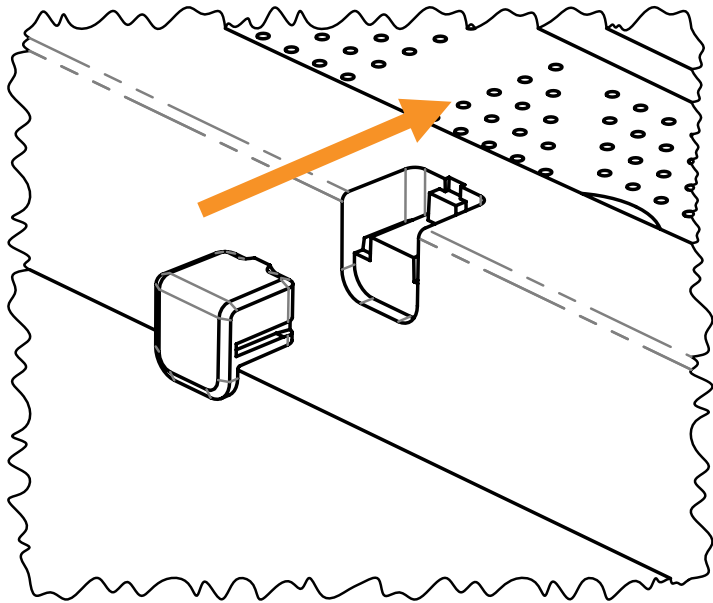
# Blanking Clip Installation



# Blanking Clip Installation

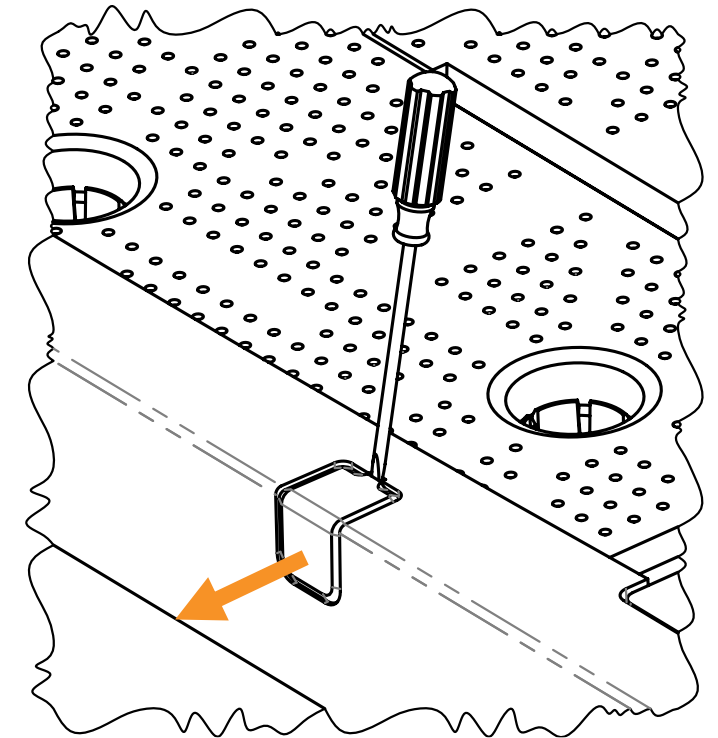
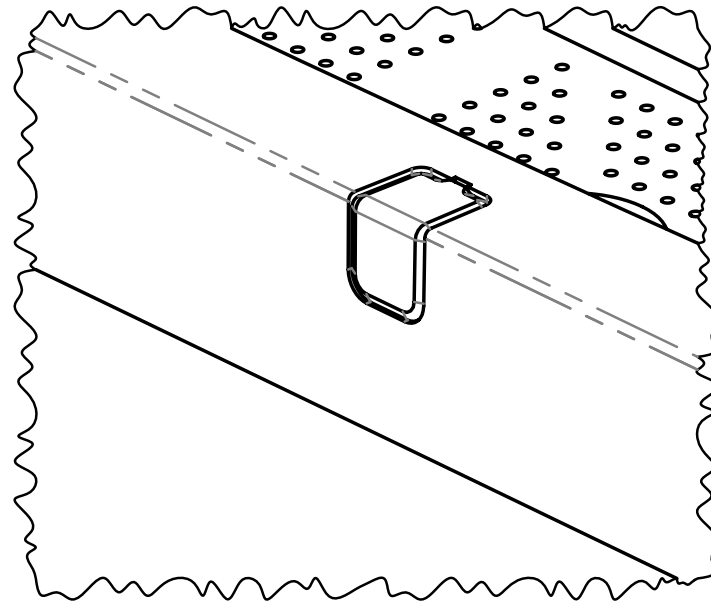
## INSTALLATION

Attach by simply sliding the **Blanking Clip (7)** into lip until it “clicks”



## REMOVAL

Remove using a flat head screw-driver into the small groove and levering the **Blanking Clip (7)** out





# Connecting Additional Foodcubes





# Connecting Additional Foodcubes

If you are setting up more than one Foodcube or Foodcube Slim, then you can connect them together in rows with a **Coupling (15)**.







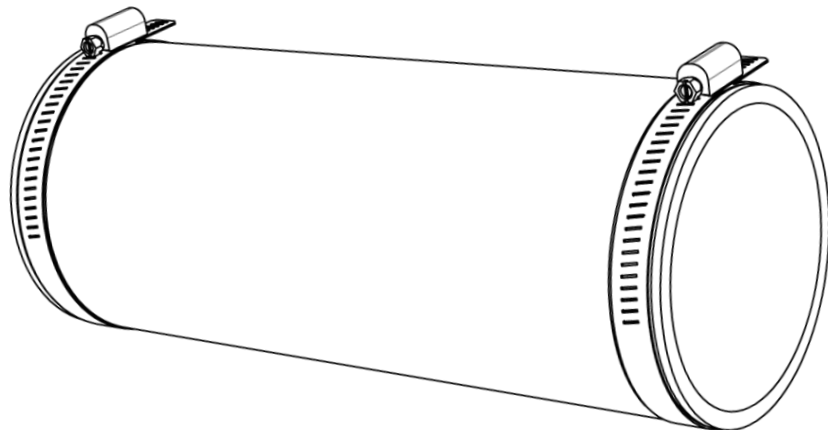
# Connecting Additional Foodcubes

## Step 1

Ensure the steel bands are not tight and seated in the groove of the **Coupling (15)**

## Step 2

Push **Coupling (15)** onto the Tub Stub.

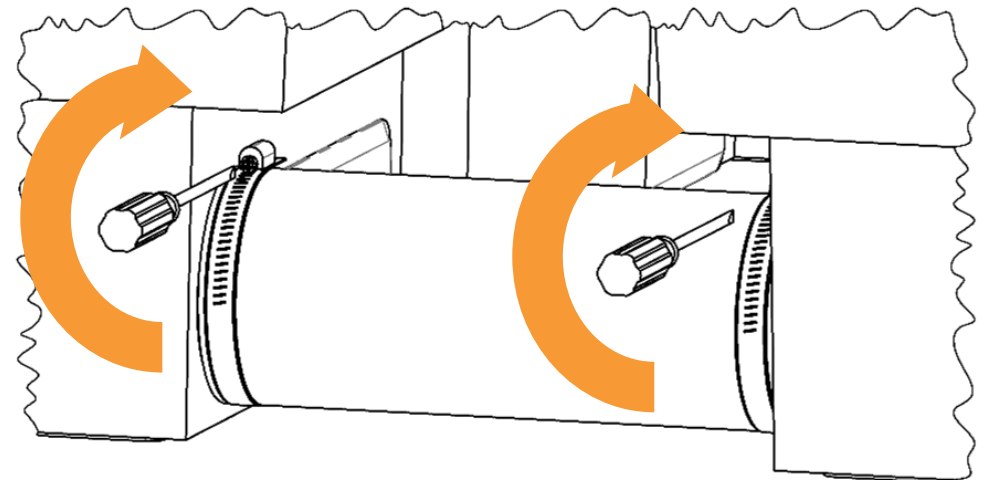
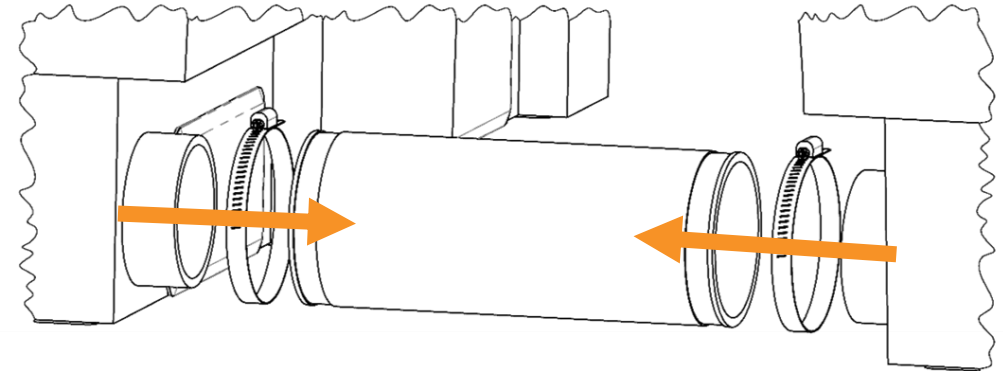


## Step 3

Push the next Tub onto **Coupling (15)**

## Step 4

Tighten steel bands onto the **Coupling (15)** until firm.  
Do not overtighten.





# General Instructions



# Growing Tips

#### Media

- For best results it is recommended that you use Bio Gro's Wicking Mix, designed for the Foodcube.
- If you choose to make your own Wicking Mix;
  - Use a good quality potting mix 8x30L bags.
  - Mix in 30% coir block (approximately 90 litres per Foodcube) and some good quality, slow release, fertilisers.
- Place a few shovels of your mixed potting mix in the Foodcube on top of the trays.
- You will now need to push the media into the cones with your fingers to ensure there is direct contact with the water below. This is how the system will wick up the water.
- Once you have finished this step you can now fill to the top of your Foodcube. The potting mix will settle a little so make sure you fill right to the top.
- You are now ready to plant.

#### Watering

- Water can be added to the Foodcube via a hose inserted into any Air Cone vent. Simply flip up the lid and insert the hose.
- Continue to water until flow can be seen from the level setter hose.
- It is recommended to water-in seedlings from the top or super saturate the Foodcube for a day or so after seedlings are transplanted.
- Your Foodcube can also be connected directly to a water tank using standard 90mm pvc connection from your local hardware store.
- A hose can be connected directly to the Foodcube using a reducer for permanent connection. Contact your local hardware store or irrigation supply specialist for advice.



# Soil Maintenance

It is recommended that you refresh your potting mix by adding more nutrients from organic compost, worm castings or slow release fertilisers after each growing season.

You may need to also add some more potting mix to fill to the top level. To remove the potting mix, we recommend you place a tarp on the ground to allow mixing of fresh media. You may need to top up your potting mix after each harvest as volume is lost due to settlement and plant root mass. Liquid fertilizer is great to use during fruiting stages to boost growth.

This is best applied to the leaves and not directly into the water reservoir. If growth is not still not vigorous, you may need to get a soil test to determine what nutrients have been used up and need to be replaced.





# Additional Accessories



# Additional Accessories

### Trellis

Supports vertical growth



### Frames & Netting

Protects from the elements & pests



### Steel Cladding

Aesthetic finish







# Additional Accessories

## Adjustable Platform

Put your Foodcubes anywhere



## Platform with Wheels

Mobile with lockable castors



# Foodcube & Foodcube Slim

Installation Guide

## Height Pads & Slim Legs

Lift your working height by 200mm  
(compatible with tall cladding options)







[hello@biofilta.com.au](mailto:hello@biofilta.com.au)

[foodcube.com.au](http://foodcube.com.au)

(03) 9786 7254